

NWPC Series Connectors ■ Outdoor Type, Water-proof Connectors of NCS Series

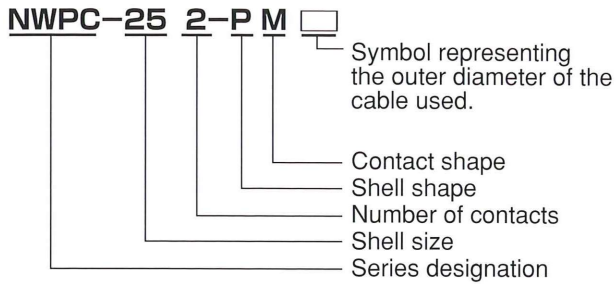
Feature

1. Cable drawing-out section is constructed to keep cables doubly by use of rubber packing and cable clamps.
2. Thermosetting epoxy resins have been employed for insulators.
3. Seven kinds of shell size and various shell type are available for a variety of applications.

特長

1. ケーブルの引き出し部分は、ゴムパッキン、ケーブルクランプとで、二重にケーブルを保守する構造です
2. 絶縁体は熱硬化性エポキシ樹脂を使用
3. 広い範囲の用途を対象に7種のシェルサイズと多数のシェルタイプを用意

Order Cording (形名構成)



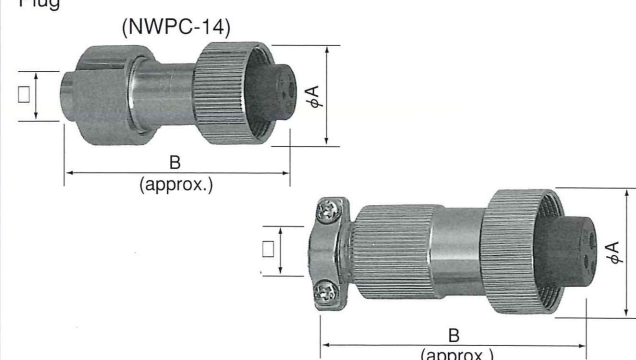
Material and Finish

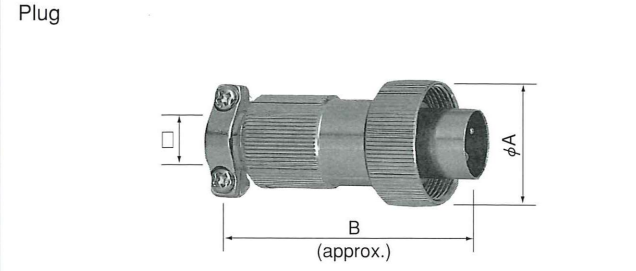
材質及び処理

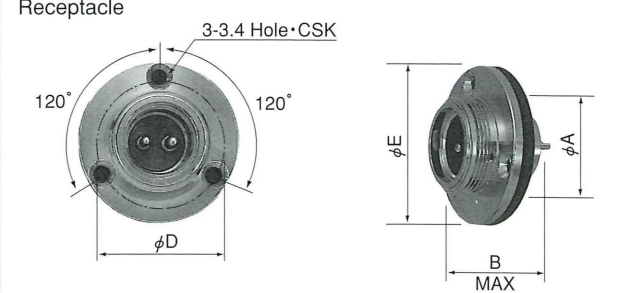
	Material (材質)	Finish (処理)
Shell (シェル)	Brass or Zinc alloy die casting (黄銅又は亜鉛ダイカスト)	Chrome plating (クロムめっき)
Insulator (絶縁体)	Epoxy resin (エポキシ樹脂)	—
Contact (コンタクト)	Copper alloy (銅合金)	Nickel, Silver or Gold plating (ニッケル、銀又は金めっき)
Packing (パッキン)	Synthetic rubber (合成ゴム)	—

- Cable termination : Soldering
- Operating temperature range : -40°C to +85°C
- Water resistance : Water pressure 0.5kPa 24hrs.

- 結線方式 : はんだ付け
- 使用温度範囲 : -40°C~+85°C
- 防水性 : 水圧下 0.5kPa 24時間

Plug (NWPC-14)	S Type		*Number of contacts	A	B
		NWPC-14*-P□	1	21	47.5
	NWPC-14*-P□	2	21	49	
	NWPC-16*-P□	1, 4	25	57	
	NWPC-16*-P□	2, 3	25	58	
	NWPC-25*-P□	2, 3, 4, 5, 6, 7, 8	32	64	
	NWPC-30*-P□	2, 3, 4, 5, 6, 7, 7H, 8, 13	37	70	
	NWPC-40*-P□	2, 3, 4, 5, 6, 8, 10, 12, 16, 20	47	94	
	NWPC-50*-P□	2, 3	57	130	
	NWPC-50*-P□	4, 8, 10, 15, 25	57	120	
	NWPC-60*-P□	2, 3, 4	67	145	
	NWPC-60*-P□	10, 15, 30, 32, 40	67	135	
	□	(Refer to page 26)			

Plug	G Type		*Number of contacts	A	B
		NWPC-16*-PM□	2, 3	25	58
	NWPC-25*-PM□	2, 3, 4, 5, 6, 7	32	64.5	
	NWPC-30*-PM□	2, 3, 4, 5, 6, 8	37	72	
	NWPC-44*-PM□	2, 3, 4, 5, 6, 8, 10, 12, 16, 20	56	98	
	NWPC-54*-PM□	2, 3	66	130	
	NWPC-54*-PM□	4, 8, 10, 15, 25	66	120	
	NWPC-64*-PM□	2, 3, 4	76	145	
	NWPC-60*-PM□	10, 15, 30, 32	67	137	
	□	(Refer to page 26)			

Receptacle	S Type		*Number of contacts	A	B	D	E
		NWPC-14*-R	1	14	28.5	26	34
	NWPC-14*-R	2	14	25	26	34	
	NWPC-16*-R	1	16	30.5	30	37	
	NWPC-16*-R	2, 3, 4	16	26	30	37	
	NWPC-25*-R	2, 3, 4, 5, 6, 7, 8	25	27.5	36	44	
	NWPC-30*-R	2, 3, 4, 5, 6, 7, 7H, 8, 13	30	30	41	49	
	NWPC-40*-R	2, 3, 4, 5, 6, 8, 10, 12, 16, 20	40	36.5	52	60	

Receptacle

G Type	*Number of contacts	A	B	D	E
NWPC-16*-RF	2, 3	16	26.5	30	37
NWPC-25*-RF	2, 3, 4, 5, 6, 7	25	27.5	36	44
NWPC-30*-RF	2, 3, 4, 5, 6, 8	30	31	41	49
NWPC-44*-RF	2,3,4,5,6,8,10,12,16,20	44	41	60	68

Receptacle(Square flange)

S Type	*Number of contacts	A	B	D	E
NWPC-50*-R	2, 3	50	56	50	64
NWPC-50*-R	4, 8, 10, 15, 25	50	47	50	64
NWPC-60*-R	2, 3, 4	60	57.8	56	70
NWPC-60*-R	10, 15, 30, 32, 40	60	44.5	56	70

Receptacle(Square flange)

G Type	*Number of contacts	A	B	D	E
NWPC-54*-RF	2, 3	54	54	52	66
NWPC-54*-RF	4	54	46.5	52	66
NWPC-54*-RF	8, 10, 15, 25	54	43	52	66
NWPC-64*-RF	2, 3, 4	64	56	62	76
NWPC-60*-RF	10, 15, 30, 32	60	49.5	56	70

Adapter(Jack)

S Type	*Number of contacts	A	B
NWPC-14*-Ad□	1, 2	21	62
NWPC-16*-Ad□	1, 2, 3, 4	25	59
NWPC-25*-Ad□	2, 3, 4, 5, 6, 7, 8	32	72
NWPC-30*-Ad□	2, 3, 4, 5, 6, 7, 7H, 8, 13	37	80
NWPC-40*-Ad□	2, 3, 4, 5, 6, 8, 10, 12, 16, 20	47	100
NWPC-50*-Ad□	2, 3	57	131
NWPC-50*-Ad□	4, 8, 10, 15, 25	57	122
NWPC-60*-Ad□	2, 3, 4	67	150.5
NWPC-60*-Ad□	10, 15, 30, 32, 40	67	142
□	(Refer to page 26)		

Adapter(Jack)

G Type	*Number of contacts	A	B
NWPC-16*-AdF□	2, 3	25	59
NWPC-25*-AdF□	2, 3, 4, 5, 6, 7	32	72
NWPC-30*-AdF□	2, 3, 4, 5, 6, 8	37	80
NWPC-44*-AdF□	2, 3, 4, 5, 6, 8, 10, 12, 16, 20	56	101
NWPC-54*-AdF□	2, 3	66	135
NWPC-54*-AdF□	4, 8, 10, 15, 25	66	125
NWPC-64*-AdF□	2, 3, 4	76	151
NWPC-60*-AdF□	10, 15, 30, 32	67	142
□	(Refer to page 26)		

Adapter with flange(Panel Jack)

S Type	*Number of contacts	B	D	E
NWPC-16*-Ad(F)□	1, 2, 3, 4	59	32	40
NWPC-25*-Ad(F)□	2, 3, 4, 5, 6, 7, 8	72	39	47
NWPC-30*-Ad(F)□	2, 3, 4, 5, 6, 7, 7H, 8, 13	80	44	52
□	(Refer to page 26)			

Adapter with flange (Panel Jack)

G Type	*Number of contacts	B	D	E
NWPC-16*AdF(F)□	2, 3	59	32	40
NWPC-25*AdF(F)□	2, 3, 4, 5, 6, 7	72	39	47
NWPC-30*AdF(F)□	2, 3, 4, 5, 6, 8	80	44	52
□ (Refer to page 26)				

Accessories

Plug cap(PCa)	Shell size		A	B	Receptacle cap(RCa) Also for adapter (アダプタ用もかねる)	Shell size		A	B
		NWPC-14-PCa	21	20.5				NWPC-14-RCa	21
	NWPC-16-PCa	25	18.5			NWPC-16-RCa	25	12.5	
	NWPC-25-PCa	32	19.5			NWPC-25-RCa	32	12.5	
	NWPC-30-PCa	37	22			NWPC-30-RCa	37	14	
	NWPC-40-PCa	47	24.5			NWPC-40-RCa	47	16	
	NWPC-44-PCa	56	25			NWPC-44-RCa	56	16	
	NWPC-50-PCa	57	39.6			NWPC-50-RCa	57	21.6	
	NWPC-54-PCa	66	38.6			NWPC-54-RCa	66	19.6	
	NWPC-60-PCa	67	39.6			NWPC-60-RCa	67	19.6	
	NWPC-64-PCa	76	38.6			NWPC-64-RCa	76	19.6	

★ Adapter cap(AdCa) shell size 40・44

□: Symbol representing the outer diameter of the cable used.
The connectors are of water-proof construction therefore, it is required to mate the inside diameter of rubber packing of the cable clamp section with the outer diameter of cable used. Select the symbol conforming to the cable used, from the following table, and enter it in the table.

□: 使用ケーブル外径を表す記号
このコネクタは防水構造ですのでケーブルクランプ部のゴムパッキンの内径に、使用ケーブル外径を合わせる必要がありますので、下表より使用ケーブルに適合する記号を選び記入して下さい。

Shell size	Symbol□	Outer diameter of cable used
14	5	φ 5.0~φ 5.9
	6	φ 6.1~φ 6.9
	7	φ 7.0~φ 8.0
16	5	φ 4.5~φ 6.0
	7	φ 6.1~φ 8.0
	9	φ 8.1~φ 10.0
25	7	φ 6.5~φ 8.0
	9	φ 8.1~φ 10.0
	11	φ 10.1~φ 12.0
30	13	φ 12.1~φ 14.0
	9	φ 8.0~φ 10.0
	11	φ 10.1~φ 12.0
	13	φ 12.1~φ 14.0
	15	φ 14.1~φ 16.4
40 and 44	17	φ 16.5~φ 18.0
	12	φ 11.0~φ 13.0
	14	φ 13.1~φ 15.0
	16	φ 15.1~φ 17.0
	18	φ 17.1~φ 19.0
	20	φ 19.1~φ 21.5
	23	φ 21.6~φ 24.0

Shell size	Symbol□	Outer diameter of cable used
50 and 54	16	φ 15.0~φ 17.0
	18	φ 17.1~φ 19.0
	20	φ 19.1~φ 21.0
	22	φ 21.1~φ 23.0
	24	φ 23.1~φ 25.5
	27	φ 25.6~φ 28.0
60 and 64	22	φ 21.0~φ 23.0
	24	φ 23.1~φ 25.0
	26	φ 25.1~φ 27.0
	28	φ 27.1~φ 29.5
	31	φ 29.6~φ 32.0
	33	φ 32.1~φ 34.0
	35	φ 34.1~φ 36.0
	37	φ 36.1~φ 38.0

NCS and NWPC tools (Sale different)

Contacts with NCS and NWPC rated currents of at least 80A have structures which can be removed from insulators. When soldering, do so after removing the contact.

NCS・NWPC用工具(別売)

NCS・NWPCの定格電流80A以上のコンタクトは、絶縁体より取り外せる構造になっております。はんだ付け作業の際には、コンタクトを取り外して作業して下さい。

