

## WATER GATE OPENING INDICATOR

# Wire-Spring Type(RTX1000 Series)

- Directly measurement of the gate position by dedicated wire
- Wire tension is secured by spiral spring and no need for counterweight
- Accuracy is not affected by conditions of gate hoist
- Can be installed at existing gate
- Max.12m measuring range(Normally 10m or less)
- Good visibility by analog indication
- Optional 4 type sensors can be embedded (Synchro transmitter, A/D-converter, Potentiometer, Limit switch)
- High durability due to simple mechanical structure
- Available for radial gate and sluice gate
- Rainproof enclosure (IP23)



## Summary

- RTX1000 Series is water gate opening indicator by measuring a length of paying-out of wire which is directly connected to the gate body, and wire loosening will be rolled up by a spring.
- Can be installed at existing gate regardless of water gate hoisting-device.
- Measured data is indicated by hand on large scale board, and optional 4 type sensors (Synchro transmitter, A/D-converter, Potentiometer, Limit switch) are able to mount as option for output signal.
- It is widely used because of high durability against vibration, temperature and noises.

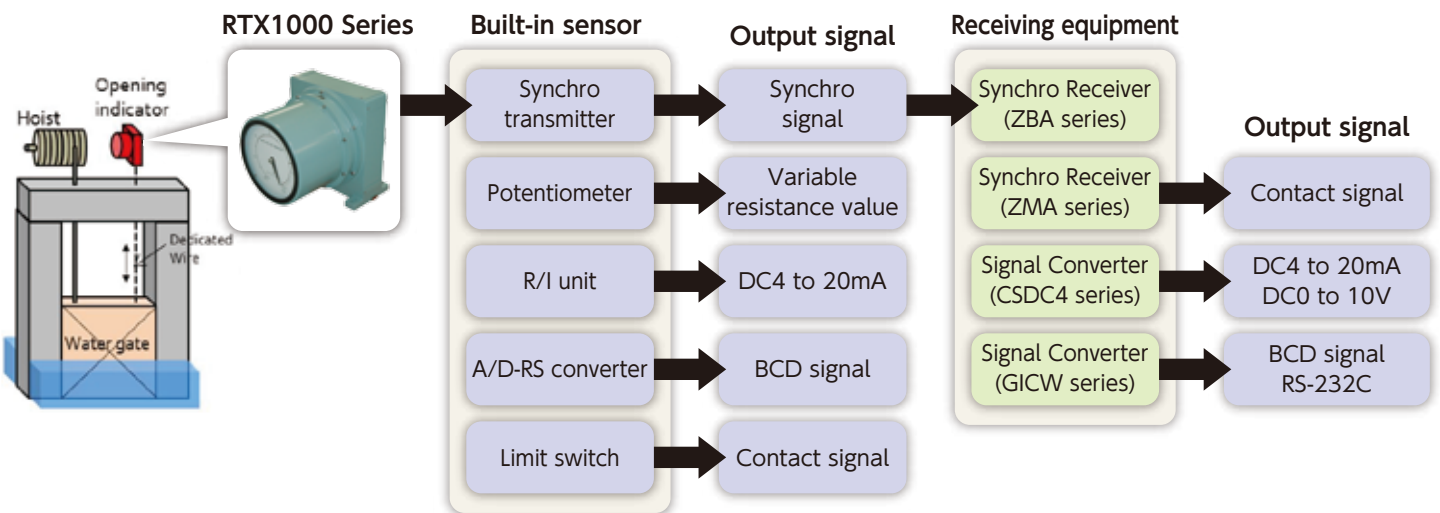
## Main specification

Ambient Temperature	-20°C to +50°C (R/I converter:-5°C to +50°C)
Ambient Humidity	30 to 90% RH (Non condensing)
Structure of main body	Rainproof (IP23 Equivalent)
Wire Tension	More than 44.1N(4.5kg·f)
Indicator accuracy	±0.2%F.S
Meter drum accuracy	±0.1%F.S
Measurement Range	Max.12m (recommend 10m)
Weight	Approx. 50kg

## Model name:RTX1[A][B][C]-[D][E][F]

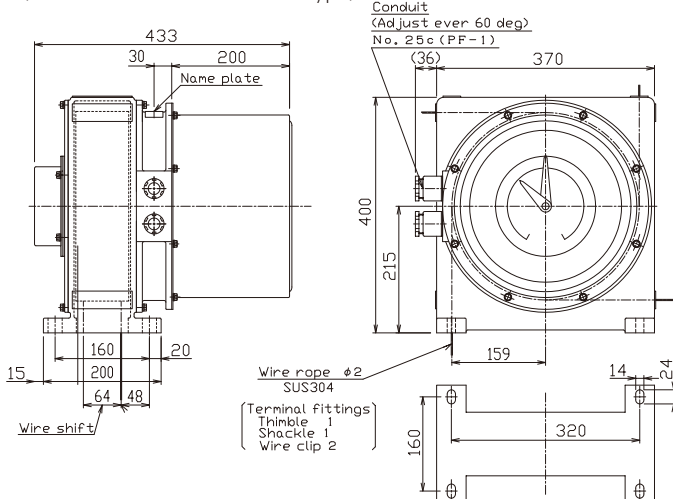
Code	Option Type	Option Detail Number
[A]	Analog Indicator	0 : None, 1 : Single Hand, 2 : Double Hand
[B]	A/D Converter	0 : None, 1 : 3-digit, 2 : 4-digit
[C]	Synchronous Motor	0 : None, 1 : 86type(1pc), 2 : 86type(2pcs)
[D]	Potentiometer	0 : None, 1 : Potentiometer, 2 : R/I unit
[E]	Limit Switch	0 : None, 1 : 4-pnt switch, 2 : 8-pnt switch
[F]	Power Supply	0 : None, 1 : 100V(50/60Hz), 2 : 110V(60Hz), 3 : 200V(50/60Hz), 4 : 220V(60Hz), 5 : DC24V, 6 : Special

## System configuration

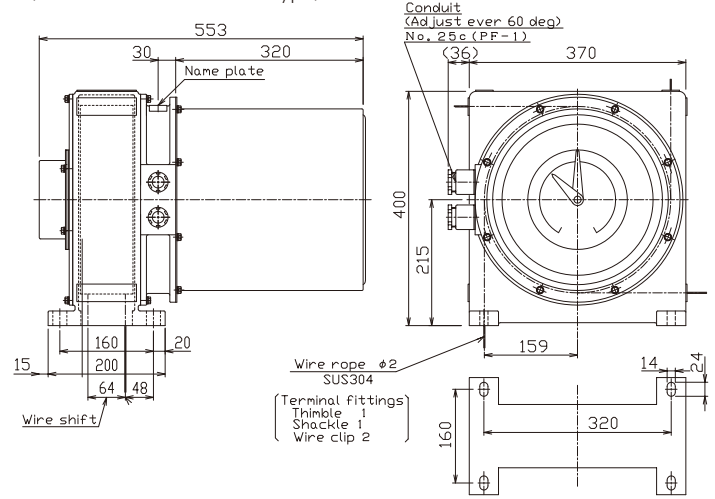


## Outline drawing

(A/D-RS converter non built-in type)



(A/D-RS converter built-in type)



※Information in this document is subject to change without notice