

# Metallic flow controller & indicator BV - BR



- Vertical mounting
- 1 Indicator + 1 adjustable contact
- Material: stainless steel or brass
- Pressure limit 10 bar
- Flow ranges within 0.1 ... 50 l/min

## APPLICATIONS

- Control and indication of flow-rate in pipings (cooling, lubricating, etc.) or in any compatible skids.

## DESCRIPTION

The BV series controls the flow-rate in a vertical pipe with ascending flow; Liquid must be free of particles.

The fluid passing through the controller, from bottom to top, drives a diver with built-in magnet which actuates an external Reed contact, adjustable all along the body. The cylindrical diver moves inside a tube perforated with conical slots.

The upper edge of the float indicate the flow rate.

- The scale is graduated in l/min of water.
- The setting of trigger point is possible over the entire measuring range.
- The actual flow-rate can be greater than the high range without damaging the device (it results in a higher pressure drop).

These controllers must be installed far from any magnetic induction.

## TECHNICAL FEATURES

Pressure limit	10 bar (Both versions, brass and stainless steel)
Pressure drop	0.01 ... 0.2 bar
Temperature limits	-20 ... +100 °C (On request: Option up to 160 °C)
Graduated scales	l/min (of water at 20 °C)
Accuracy	± 5 % F.S.
Contact type	N.O. (without flow)
Protection	Contact: IP 65
Connection	DIN 43650 plug-in socket, cable gland PE 9

### Brass version

Body	Anodized aluminum
Diver	Nickel-plated brass
Fittings	Nickel plated brass
Direct reading tube	DURAN® 50
Seals	NBR (On request: FPM or EPDM)

### Stainless steel version

Body	Anodized aluminum
Diver	AISI 316 Ti (1.4571)
Fittings	AISI 316 Ti (1.4571)
Direct reading tube	DURAN® 50
Seals	FPM (On request: NBR or EPDM)

*Other design: on request*

**EC Conformity: The instrument meets the legal requirements of the current European Directives.**

# BAMO INTERNATIONAL

22, Rue de la Voie des Bans · Z.I. de la gare · 95100 ARGENTEUIL

Tel +33 (0)1 30 25 83 20 Web [www.bamo.eu](http://www.bamo.eu)

Fax +33 (0)1 34 10 16 05 E-mail [export@bamo.fr](mailto:export@bamo.fr)

Metallic flow controller &  
indicator  
**BV - BR**

26-11-2019

D-720.01-EN-AB

DEB

720-01 /1

## SWITCHES FEATURES

The Reed contact housing slides along the body for threshold adjustment; 2 screws fix safely the setting.  
Housing IP 65 in plastic material; DIN 43650 plug-in socket, cable gland PG 9

### Standard supply: N.O. without flow:

Rated: 250 V / 3 A / 100 VA

### OPTION : Change-over contact

Rated: 250 V / 1.5 A / 50 VA (Min. load 3 VA)

### OPTIONS: Contacts Ex in correspondance with ATEX directives

ATEX II 2 G Ex mb II T6 & ATEX II 2 D Ex tD A21 IP67 T80 °C

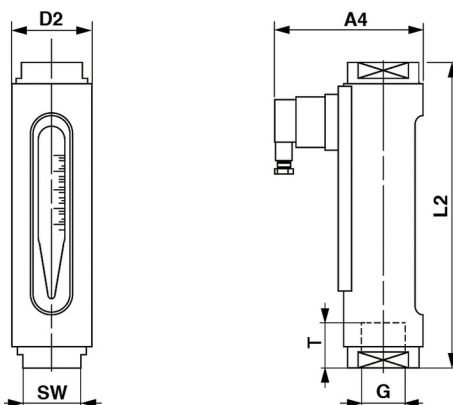
ATEX II 2 G Ex mb II T5 & ATEX II 2 D Ex tD A21 IP67 T100 °C

Version Ex, N.O. Contact without flow: Max. 250 V / 2 A / 60 VA

Version Ex, Changeover contact: Max. 250 V / 1 A / 30 VA (Min. load 3 VA)

## CODE NUMBERS AND REFERENCES

Code		Reference	Flow rate [ l/min ]	Fitting BSPF G	Dimensions					Mass [ g ]
Brass	AISI 316				D2	L2	A4	T	SW	
720 200	720 400	BV - 1,5 R	0.1 ... 1.5	1/4"	43	132	96	10	32	800
720 210	720 410	BV - 3 R	0.2 ... 3.0							
720 220	720 420	BV - 8 R	0.3 ... 8.0							
720 230	720 430	BV - 12 R	1...12							
720 240	720 440	BV - 18 R	2...18	1/2"	43	161	96	14	32	800
720 245	720 445	BV - 35 R	3...35	3/4"	50	163	104	15	41	1450
720 250	720 450	BV - 50 R	4...50	1"	50	163	104	17	41	1450



**BAMO** INTERNATIONAL

22, Rue de la Voie des Bans · Z.I. de la gare · 95100 ARGENTEUIL

Tel +33 (0)1 30 25 83 20 Web [www.bamo.eu](http://www.bamo.eu)

Fax +33 (0)1 34 10 16 05 E-mail [export@bamo.fr](mailto:export@bamo.fr)

**Metallic flow controller &  
indicator  
BV - BR**

26-11-2019

D-720.01-EN-AB

**DEB**

**720-01 /2**