

# Leakage detection sensor MAXIMAT® LW VK



- Float level fail-safe detection
- For aggressive and non electrically conductive liquids
- Positive active alarm
- Auto diagnostic system and LED indication when in use with a SHR C transducer
- Approvals: DIBT Z-65.40-272, for leakage detection, WHG§19 when in use with a SHR C transducer

## APPLICATIONS

The MAXIMAT is ideal for permanently survey risks of leakage of a liquid from a storage tanks, filling equipment, dosing pumps etc. Convenient to use with non-electrically conductive liquids, oils, emulsified, non-flammable, water endangering liquids. It is a perfect instrument to detect fluid in a double wall tank.

MAXIMAT LW VK operates with liquids of specific weight from 0.7 g/cm<sup>3</sup>

## PRINCIPLE

The sensor MAXIMAT LW VK is designed to detect conductive liquids non-electrically conductive. The detection results from the position of a magnet inside the float and a Reed contact inside the probe. It is necessary to use it with a SHR C transducer.

The liquids may not generate deposit originating jamming of float.

## TECHNICAL FEATURES

Main power supply: 24 V DC  $\pm$  10 %; caution: DC current circuit should be protected by a fuse of 250 mA.

Power consumption: approx. 3 W

Ambient temperature: -20 to +60° C

Operating pressure: atmospheric, 0.8 to 1.1 bar

Probe

material: PE-HD

cable: TPK, 2 x 0.5 mm<sup>2</sup>, shielded

Hysteresis: about 2 mm

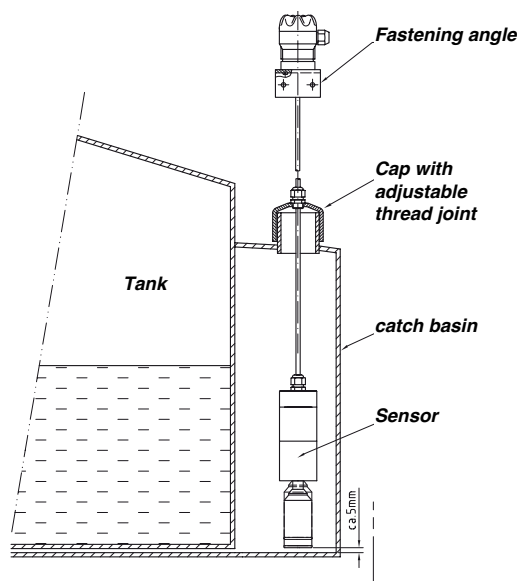
Terminal housing: PBT, fibre glass reinforced, IP 65 acc. EN 60 529

Terminals: screw connectors, IP 20; max. wire cross-section 2.5 mm<sup>2</sup>

Output: to a transducer MAXIMAT SHR C  
Cable length 300 m maximum, wire cross section 0.5 mm<sup>2</sup> as a minimum

CE mark: in accordance with low-voltage directive (73/23/CEE) and EMC directives (89/336/CEE) and standards EN 50 082-2: 1995, EN 55 011 (class A): 1998

Approvals: DIBT Z-65.40-272, for leakage detection



# BAMO MESURES

22, Rue de la Voie des Bans - Z.I. de la Gare - 95100 ARGENTEUIL

Tél : (+33) 01 30 25 83 20 - Web : [www.bamo.fr](http://www.bamo.fr)

Fax : (+33) 01 34 10 16 05 - E-mail : [info@bamo.fr](mailto:info@bamo.fr)

05-02-2007

Leakage detection sensor  
MAXIMAT® LW VK

555 11 08 A

NIV

555-08/1

## CODE NUMBERS AND REFERENCES

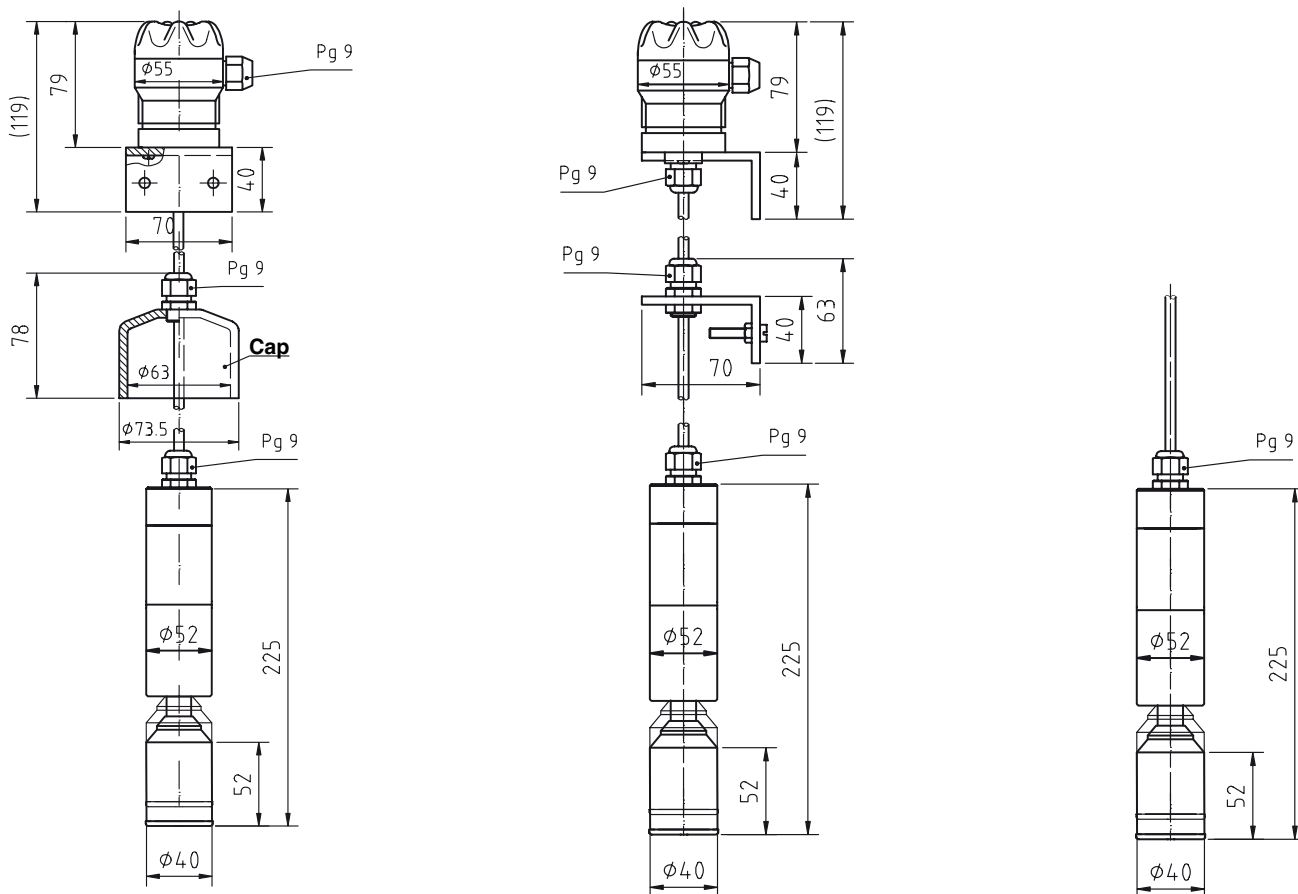
MAXIMAT LW VK... , 24 V DC, leakage sensor, cable length 6 m

Code	Reference	Description
555 800	MAXIMAT LW VK K	Complete leakage sensor with fastening angle, Pg9 cable gland for height adjustment
555 810	MAXIMAT LW VK D	Complete leakage sensor with cap diameter 63 mm, Pg9 cable gland for height adjustment
555 820	MAXIMAT LW VK O	Sensor alone without fittings, cable length 6 m

### Fitting accessories

555 890	MAXIMAT LW VK SVZ7	Height adjustment cable gland BSP 1"1/2
555 891	MAXIMAT LW VK SVZ8	Height adjustment cable gland BSP 2"
555 892	MAXIMAT LW VK SVW	Fastening angle with Pg9 cable gland for height adjustment
555 893	MAXIMAT LW VK SVO	Cap diameter 63 mm with Pg9 cable gland for height adjustment

## DIMENSIONS



MAXIMAT LW - VK D

MAXIMAT LW -VK K

MAXIMAT LW -VK O

**BAMO MESURES**

22, Rue de la Voie des Bans - Z.I. de la Gare - 95100 ARGENTEUIL

Tél : (+33) 01 30 25 83 20 - Web : [www.bamo.fr](http://www.bamo.fr)

Fax : (+33) 01 34 10 16 05 - E-mail : [info@bamo.fr](mailto:info@bamo.fr)

05-02-2007  
Leakage detection sensor  
**MAXIMAT® LW VK**  
555 11 08 A

**NIV**  
**555-08/2**