



DigaCom 2000™ DCX2

DIGITAL PROCESS METER



DESCRIPTION

DigaCom 2000™ Universal Process Display is a field mount display that provides bright, 6-digit LED indication, internal DC power supply for transmitter power, isolated scalable 4-20mA output and advanced communications. DigaCom features digital push button configuration, simple programming interface and Ethernet communication. This device is well suited for a variety of process applications. Typical applications include level monitoring, analytical measurements, flow, distance monitoring, pressure monitoring, weight/volume monitoring and temperature monitoring.

FEATURES & BENEFITS

- Bright, 6-Digit LED Display
- Four Internal Push Buttons
- E-mail Alerts / Alarm Summary
- DigaLink™ PC Software Included with purchase
- Rate Display
- Totalizer
- Maximum Range Display
- Universal 90-265 VAC or 12-28 VDC
- RS-485 Serial Communication Port Modbus
- Ethernet Communication
- NEMA 4X Field Mount or NEMA 7 Explosion Proof Enclosure
- Optional Epoxy Coated Aluminum Enclosure for durable, rugged applications
- Transmitter DC Power
- Isolated scalable 4-20mA output

PHOTOS



NEMA 4X Enclosure



Battery Powered Enclosure



Epoxy Coated Aluminum Enclosure



Explosion Proof Enclosure



MAXIMIZE PERFORMANCE

① DigaLink™ E-mail Alert Configuration & Monitoring Software



DigaLink™ 3.0 is FLO-CORP's unique Alarm, Configuration and Monitoring Software. This enables users to receive e-mail alerts, configure, and remotely monitor from the convenience of their PC. DigaLink is unique in its communication protocol that utilizes both TCP/IP Ethernet communication and Modbus/RS485 serial communication simultaneously. This advanced software features e-mail alerts, display configuration, datalogging and real-time monitoring from unlimited devices. With DigaLink you can easily setup, monitor and receive e-mail alerts from practically anywhere.

② eXmod™ Relay Expansion Module



The eXmod™ is a 4-relay output module that connects to the display via RS-485 serial communication (4-wire). It is extremely versatile and can be mounted locally or remotely to allow for a purely distributed system. Display(s) can be mounted in the plant or control panel, while the eXmod can be mounted in the motor control cabinet for reduced cost of control wiring. Additionally, the eXmod's BIG 10 AMP AC/DC rated relays bring added value to your control/alarm monitoring systems.

Specifications

Display Type	6-digit, Red LED Display
Display Units	Engineering
Decimal Point	Up to 5 places
Display Output	-99999 to 999999
Display Height	0.6" (15 mm)
Status Indicators	(1) Totalizer, Yellow LED Relay (4) Red LED Relay Indicators
Over Range	Display flashes O-Range when Full value is achieved
User Interface	4 Internal Push Buttons or DigaLink™ PC Software Interface
Password	Programmable, restricts modification of settings
Operating Temperature	F: -40° to 149° C: -40° to 65°
Storage Temperature	F: -40° to 185° C: -40° to 85°
Relative Humidity	0 to 90%, non-condensing
Accuracy	± 0.1% of calibrated span ±1 count
Temperature Drift	0.005% of calibrated span/°C max from 0 to 65°C ambient; 0.01% of calibrated span/°C max from -40 to 0° ambient
Supply Voltage	AC Model: 90-265 VAC @ 50-60 Hz, 15W Max. DC Model: 12-28 VDC @ 0.5A (Fuse protected via 0.5A slow blow)

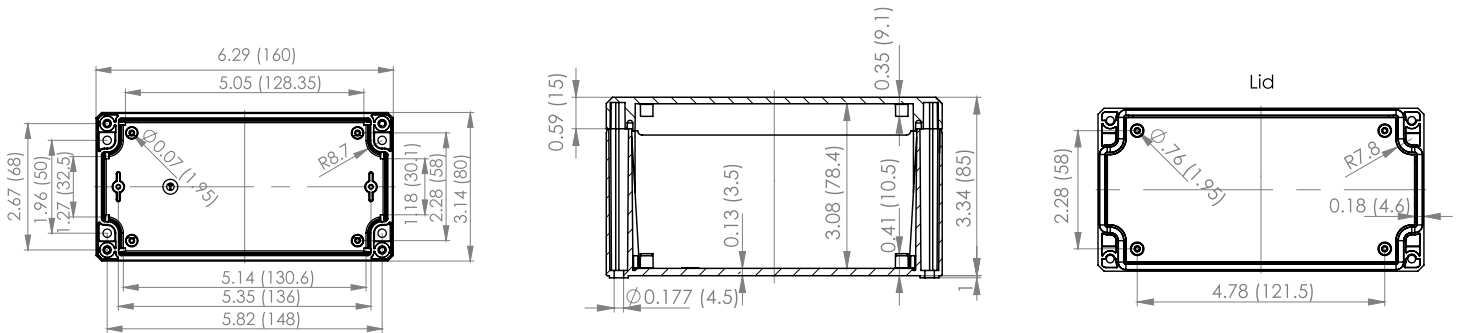
Transmitter Power	120 mA @ 24 VDC 24 VDC for AC powered units; For DC powered units, supply voltage equals the DC input voltage
Display Refresh Rate	One Per Second (1/s)
Analog Input	4-20mA current loop
Analog Output	Isolated, scalable 4-20mA
Connection	Removable Screw Terminal; Accepts 12-22 AWG Wire
Enclosure Type	Field Mount
Enclosure Rating	NEMA 4X (IP65), NEMA 7, Aluminum
Enclosure Material	Polycarbonate
Classification	General Purpose
Communications	
Serial Port	RS-485, Screw Terminal ModBus®
Ethernet Port	10/100 Base-T (RJ-45)

Note: Please Consult Factory for Special Requirements

NEMA 4X Enclosure Dimensions



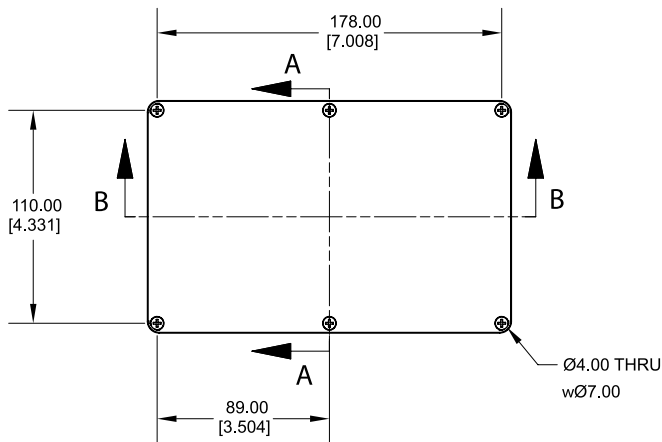
Bottom View



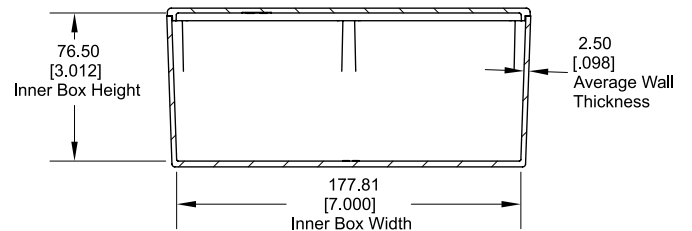
Epoxy Coated Aluminum Enclosure Dimensions



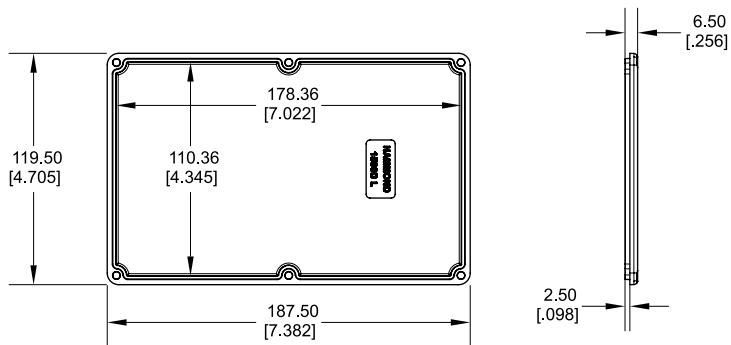
Top View of Assembly



Side View of Assembly



Lid



Ordering Information

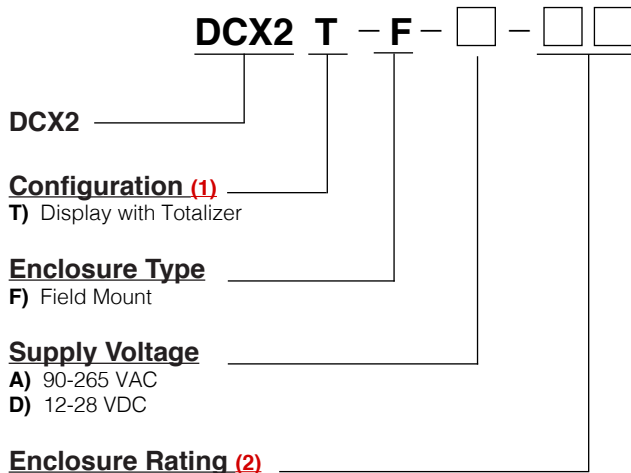
FLO-CORP MODEL NUMBER BUILDER

For Assistance Call **877.356.5463**

Use the diagram below, working from left to right to construct your FLO-CORP Model Number. Simply match the category number to the corresponding box number.

Example: DCX2T-F-A-A1 *DigaCom 2000 with Ethernet, Field Mount, 90-265 VAC Supply Voltage with an Epoxy Coated Aluminum Enclosure*

DigaCom 2000 with Ethernet



DCX2

Configuration (1)

T) Display with Totalizer

Enclosure Type

F) Field Mount

Supply Voltage

A) 90-265 VAC

D) 12-28 VDC

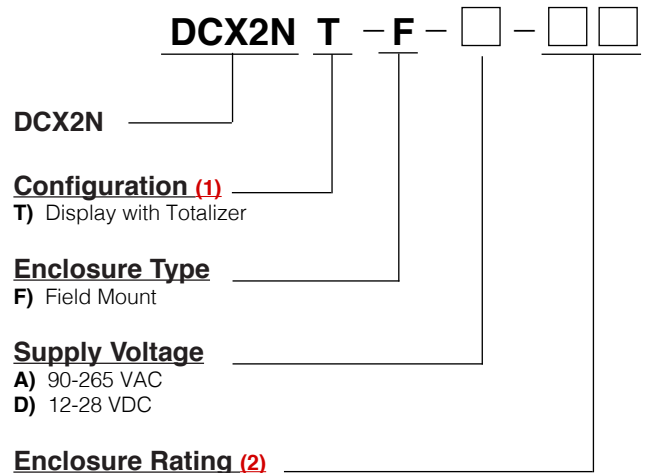
Enclosure Rating (2)

A1) EPOXY COATED ALUMINUM

N4) NEMA 4X (IP65)

N7) NEMA 7

DigaCom 2000 without Ethernet



DCX2N

Configuration (1)

T) Display with Totalizer

Enclosure Type

F) Field Mount

Supply Voltage

A) 90-265 VAC

D) 12-28 VDC

Enclosure Rating (2)

A1) EPOXY COATED ALUMINUM

N4) NEMA 4X (IP65)

N7) NEMA 7

Ordering Notes:
 (1) Select the best configuration based on your requirements
 (2) To order the NEMA 4 Battery Powered Enclosure, place AN4B at the end of the P/N: (ie: DCX2T-F-A-N4-AN4B)
 * For relay outputs, use eXmod relay expansion module (p/n: DXM1)



*eXmod™ Relay Expansion Module

D DigaLink™ 3.0 Interactive Software with E-mail Alerts

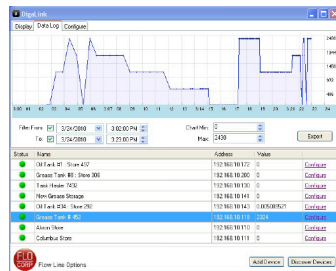
To download DigaLink™ 3.0, please visit <http://www.flowlineoptions.com/digalink-download-form/>

Display Screenshot



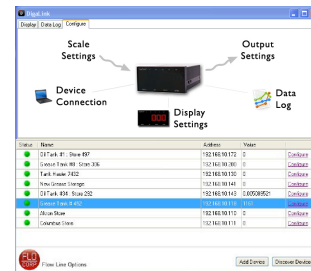
Monitor multiple devices simultaneously

Data Log Screenshot



Record application data, then export to Excel

Configure Screenshot



Simple device configuration