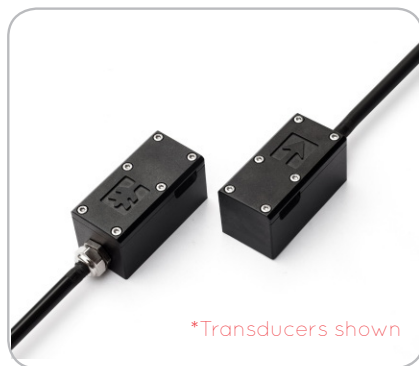




# ULTRAFLO™ ULTRASONIC FLOW METER (UFD3)

Fixed or portable clamp-on ultrasonic flow meter

The UltraFlo™ UFD3 ultrasonic flow meter is a fixed or portable, clamp-on flow meter that is easy to install, accurate, and simple to use. The UltraFlo™ UFD3 is equipped with intelligent software to ensure high accuracy and low velocity response. The flow meter has the ability to be a fixed unit or portable unit. The UltraFlo™ UFD3 ultrasonic flow meter is widely used in applications such as oil and gas, water treatment, pure water, chemical, and much more.

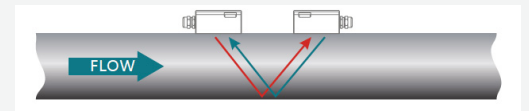


## FEATURES & BENEFITS

- Backlit bright LCD display
- RS232/RS485 or Modbus communication
- Portable or Fixed unit
- Highly accurate and easy to install
- Clamps onto pipe, requires no need to cut pipe
- 5 year warranty

## TECHNOLOGY

The ultrasonic signal from the transducer is transmitted and received through the moving liquid. The difference between the upstream and downstream transit time is then used to calculate flow and velocity.



## TYPICAL APPLICATIONS



Agriculture



Chemical & Petrochemical



Environmental Water & Wastewater



Iron, Steel, & Metal



Minerals & Mining



Oil & Gas



Renewable Energy



Power & Energy

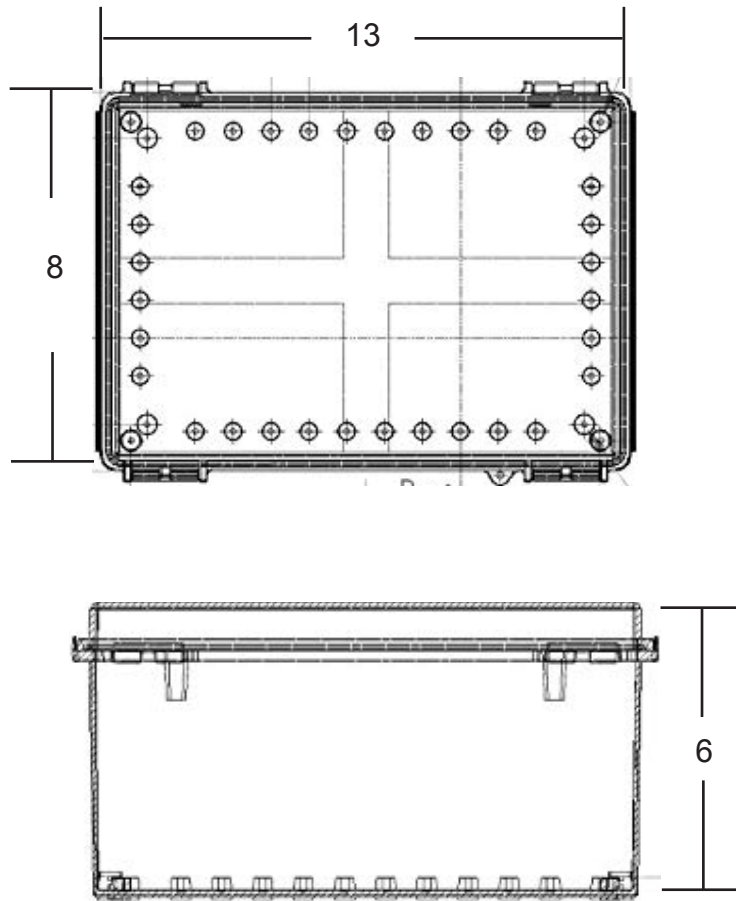
# SPECIFICATIONS

PERFORMANCE	
FLOW RANGE	±0.09ft/s ~ ±40ft/s (±0.03m/s ~ ±12m/s)
ACCURACY	±0.5% of reading (for ±1.5ft/s-±40ft/s)
REPEATABILITY	0.15% of measured value
LINEARITY	±0.5%
PIPE SIZE	1" to 200" (25mm to 5000mm). Pipe size under 1" is an option
FUNCTION	
OUTPUTS	Analog output: 4-20mA, max load 750Ω Pulse output: 0-9999Hz, OCT, (min. and max. frequency is adjustable) Relay output: SPST, max 1Hz,(1A@125VAC or 2A@30VDC)
COMMUNICATION	RS232 & RS485
MEMORY	TF card (Max 4G)
POWER SUPPLY	90 to 245 VAC, 48 to 63 Hz. Or 10 to 36VDC
DISPLAY	240*128 back lit LCD

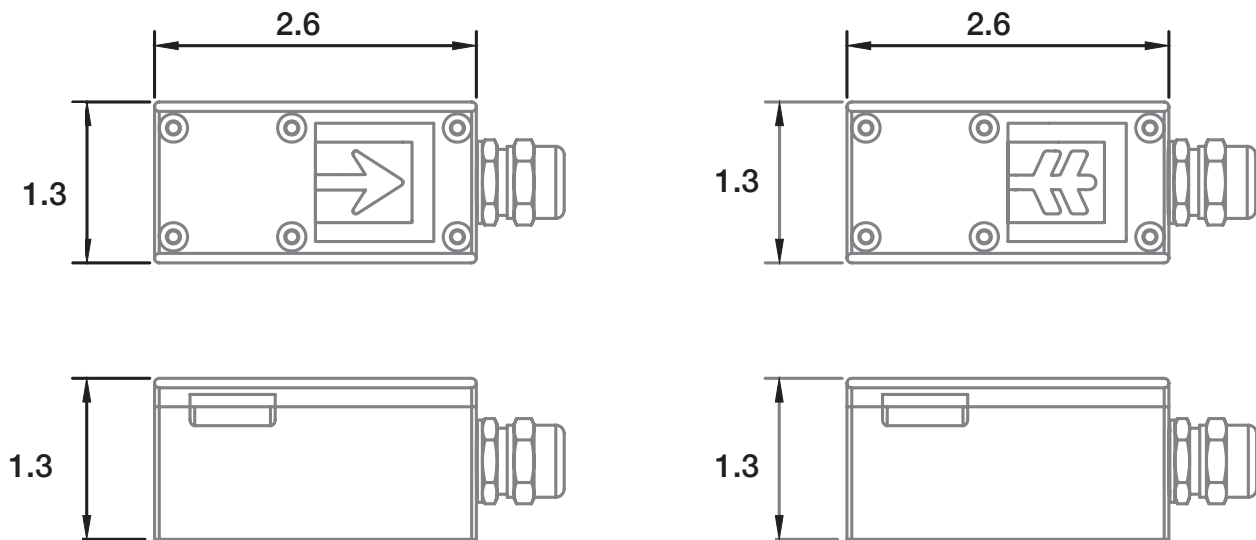
TEMPERATURE	Transmitter: -40°-140° (-40°-60°) Transducer:-40°-176° (-40°-80°, standard)
HUMIDITY	Up to 99% RH, non-condensing
PHYSICAL	
TRANSMITTER	IP65
TRANSDUCER	IP68 Encapsulated design Double-shielded transducer cable Standard/maximum cable length: 30ft/900ft(9m/274m)
Specifications are subject to change without notice.	

# DIMENSIONS (inches)

## TRANSMITTER - FIXED OPTION



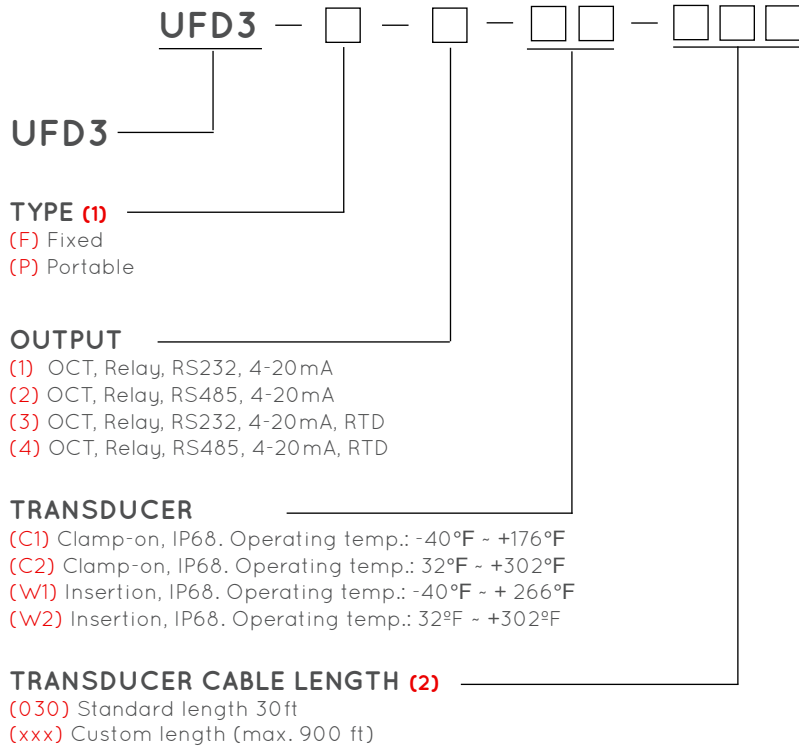
## TRANSDUCER



# ORDERING INFORMATION

FLO-CORP MODEL NUMBER BUILDER

For Assistance Call **877.356.5463**



## ORDERING NOTES

- (1) Select the best configuration based on your requirements
- (2) Enter length in feet, maximum 900ft.  
Example: 89 feet required, enter 089



FIXED OPTION



PORTABLE OPTION