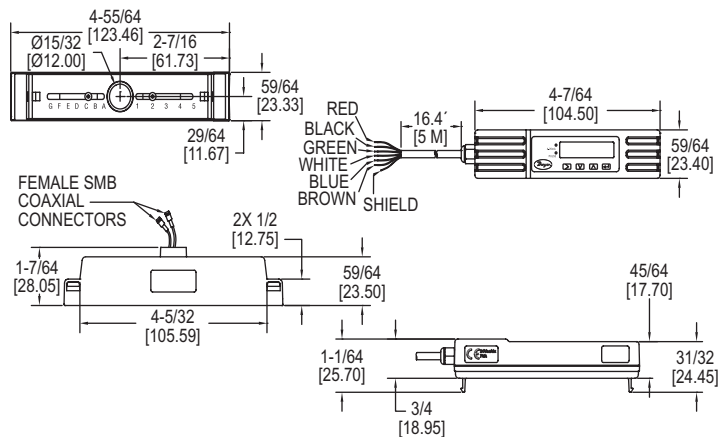


# COMPACT ULTRASONIC FLOWMETERS

Cost Effective, Compact and Adjustable Design, Non-Invasive



The **Model UFM Compact Ultrasonic Flowmeters** are economical, clamp-on, ultrasonic flowmeter. The Model UFM implements the transit-time difference to measure flow rates in pipes and can measure velocity and flow in pipes with outside diameters ranging from 0.98 to 4.62" (24.89 to 117.35 mm). This model comes with a volume pulse and 4-20 mA flow rate output.

**FEATURES/BENEFITS**

- Non-invasive pipe measurement
- Simple installation with all necessary components included such as converter, sensor, cables and mounting accessories
- Compact and lightweight design, featuring an easily installed, all in one clamp-on unit intended for homogeneous liquids that contain no air
- Screen offers easy to read text displaying both flow rate and total with a convenient backlight for visual comfort

**APPLICATIONS**

- Flow measurement for heat metering
- Chilled water metering and monitoring
- Potable water metering and monitoring
- Process water metering and monitoring

**KIT INCLUDES**

- Converter with adjustable guiderail
- Set of 1.81 to 2.75" (46 to 70 mm) clamps
- Set of 2 to 5" (51 to 127 mm) clamps
- Set of small pipe adaptor circle clamps
- Set of small pipe adaptor V clamps
- Ultrasonic coupling grease

MODEL CHART	
Model	Description
UFM-1	Compact ultrasonic flowmeter

**SPECIFICATIONS**

<b>Service:</b> Clean water with < 3% by volume of particulate content.	<b>Enclosure Rating:</b> IP54.
<b>Range:</b> 0.33 to 32.8 ft/s (0.1 to 10 m/s).	<b>Enclosure Material:</b> Plastic polycarbonate.
<b>Display:</b> Backlit: 3.27" H x 0.74" W (83.1 mm x 18.8 mm), 2 line x 16 characters.	<b>Repeatability:</b> ±0.5% of measured value.
<b>Accuracy:</b> ±3% of flow reading for > 0.98 ft/s (> 0.3 m/s).	<b>Electrical Connections:</b> 16.4" (5 m) cable.
<b>Power Requirements:</b> 12-24 VDC or VAC.	<b>Response Time:</b> < 1 s.
<b>Power Consumption:</b> 7 W max.	<b>Weight:</b> 2.9 lb (1.315 kg).
<b>Temperature Limits:</b> Process: 32 to 185°F (0 to 85°C); Ambient: 32 to 122°F (0 to 50°C).	<b>Agency Approvals:</b> CE.
<b>Outputs:</b> Analog: 1 opto-isolated: 4 to 20 mA; Error current: 3.5 mA; Load resistance: 620 Ω max; Pulse: 1 opto-isolated MOSFET relay, 500 mA max, 166 pps max, 200 Hz max.	<b>ADDITIONAL SPECIFICATIONS</b>
	<b>Applicable Pipe Material:</b> Steel, copper, or plastic.
	<b>Pipe Outside Diameter:</b> 0.98 to 4.62" (24.89 to 117.35 mm).
	<b>Applicable Pipe Lining:</b> None.
	<b>Pipe Wall Thickness:</b> 0.02 to 0.39" (0.5 to 10 mm).

OPTIONS	
Use order code:	Description
NISTCAL-FU	NIST traceable calibration certificate

USA: California Proposition 65  
 ⚠️WARNING: Cancer and Reproductive Harm - www.P65Warnings.ca.gov